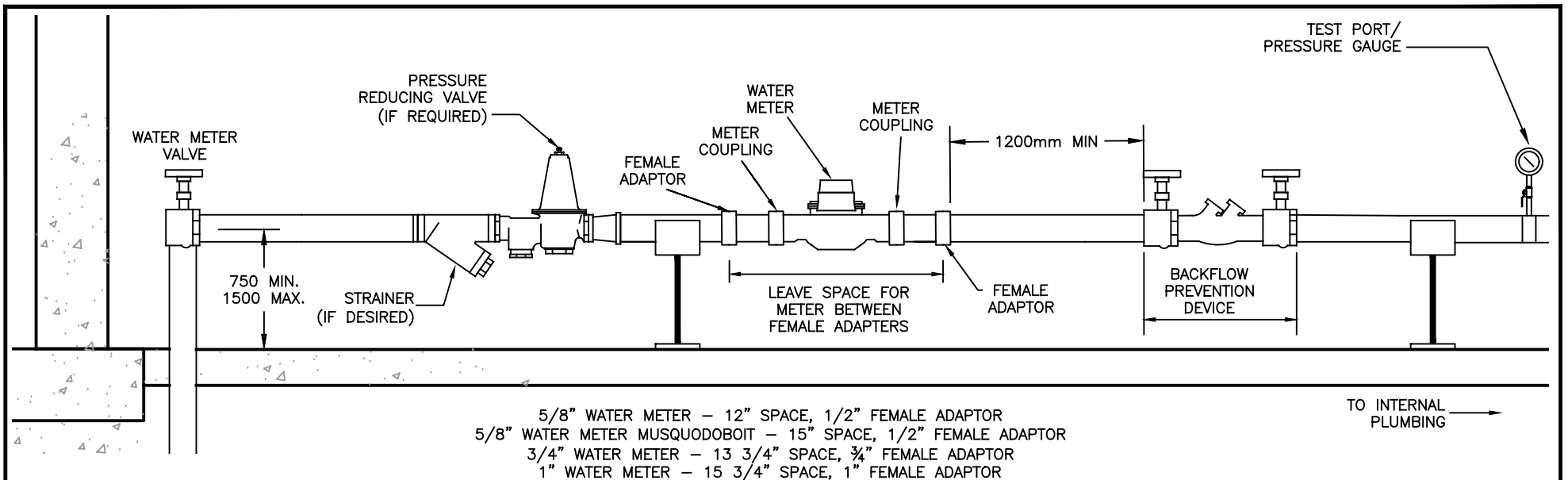


NOTES:

1. ALL PRODUCTS AND MATERIALS ARE REQUIRED TO BE NSF-61 COMPLIANT.
2. METER, METER COUPLING AND OUTSIDE REMOTE ARE SUPPLIED AND INSTALLED BY HRWC.
3. ALL PIPE MATERIAL IS REQUIRED TO BE TYPE K COPPER TUBING TO ASTM B88.
4. FOR PEX_a WATER SERVICE CONNECTIONS, USE AN ASTM F877 COMPLIANT FITTING WITH STAINLESS STEEL INSERT TO TRANSITION TO COPPER TUBING OF THE WATER METER ARRANGEMENT.
5. WATER METER TO BE INSTALLED WITHIN 1200 mm OF WHERE THE SERVICE CONNECTION ENTERS THE BUILDING.
6. ARRANGEMENT IS TO BE NO LESS THAN 450 mm AND NO MORE THAN 750mm FROM THE FLOOR.
7. MINIMUM OF 1200 mm STRAIGHT LENGTH OF TYPE K COPPER TUBING DOWNSTREAM OF THE WATER METER. SECURE THE COPPER TUBING TO THE WALL OR FLOOR.
8. THE ARRANGEMENT IS REQUIRED TO BE HORIZONTALLY LEVEL AND HAVE SUFFICIENT ROOM FOR ACCESS.
9. A SHUT OFF VALVE MAY BE SUBSTITUTED FOR THE WATER METER VALVE.
10. PROVIDE 1/2" CONDUIT THROUGH FOUNDATION OR EXTERIOR WALL CLOSEST TO THE WATER METER FOR PURPOSE OF INSTALLING AN OUTSIDE REMOTE. PROVIDE SOLID 22 GAUGE, 3 OR 4 STRANDED CONDUCTOR WIRE FROM THE WATER METER TO THE EXTERIOR LOCATION FOR THE OUTSIDE REMOTE.
11. INSTALL OUTSIDE REMOTE ON THE DRIVEWAY SIDE OF THE BUILDING OR WHERE DIRECTED BY HRWC.
12. ALL COMPONENTS ILLUSTRATED MUST BE INSTALLED PRIOR TO THE WATER METER INSTALLATION.
13. THE BUILDING IS REQUIRED TO BE ROOF TIGHT, WITH EXTERIOR SIDING INSTALLED, AND THE CURB STOP AND SERVICE BOX ARE TO BE PLUMB AND LEVEL WITH FINISHED LANDSCAPING PRIOR TO WATER METER INSTALLATION.

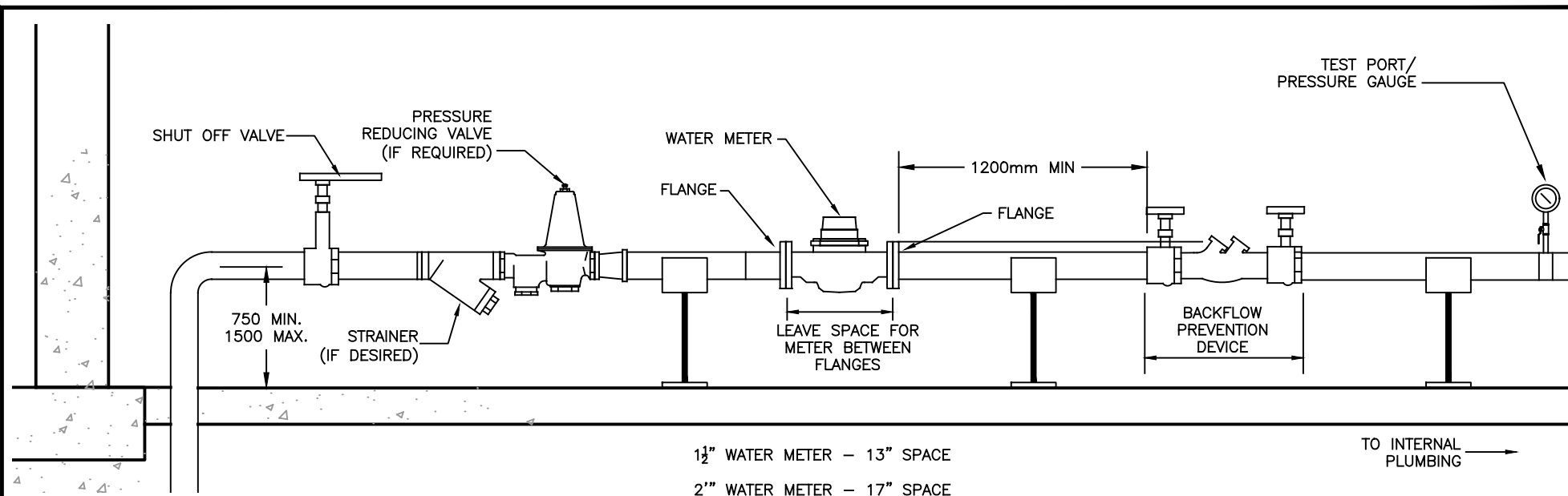
							<p>NOTE: ALL DIMENSIONS SHOWN IN MILLIMETERS, UNLESS OTHERWISE NOTED.</p>	<p>PROJECT PROFILE OF 15mm, 19mm & 25mm (5/8", 3/4" & 1") WATER METER ARRANGEMENT</p>									
3	NEW DETAIL FOR 2023	01 05 23	ST	JC				<table border="1" style="width: 100%; border-collapse: collapse;"> <tr> <td style="width: 15%;">DRAWN</td> <td style="width: 55%;">J.W./SJT</td> <td style="width: 30%;">SCALE (PLAN)</td> </tr> <tr> <td>CHECKED</td> <td>J.D.</td> <td>SCALE (PROFILE) N.T.S.</td> </tr> <tr> <td>APPROVED</td> <td>K.G.</td> <td>DATE 08/05/17</td> </tr> </table>	DRAWN	J.W./SJT	SCALE (PLAN)	CHECKED	J.D.	SCALE (PROFILE) N.T.S.	APPROVED	K.G.	DATE 08/05/17
DRAWN	J.W./SJT	SCALE (PLAN)															
CHECKED	J.D.	SCALE (PROFILE) N.T.S.															
APPROVED	K.G.	DATE 08/05/17															
2	NEW DETAIL FOR 2018	07 05 18	ST	JD				PROJECT No.									
1	NEW DETAIL FOR 2017	08 05 17	ST	KG				DWG. No. HWSD-001									
No.	DESCRIPTION	DATE	BY	CHKD													



NOTES:

1. ALL PRODUCTS AND MATERIALS ARE REQUIRED TO BE NSF61 COMPLIANT.
2. METER, METER COUPLING AND OUTSIDE REMOTE ARE SUPPLIED BY HRWC.
3. ALL PIPE MATERIAL IS REQUIRED TO BE TYPE K COPPER TUBING TO ASTM B88,
4. FOR PEX_a WATER SERVICE CONNECTIONS, USE ASTM F877 COMPLIANT FITTING WITH STAINLESS STEEL INSERT TO TRANSITION TO THE COPPER TUBING OF THE WATER METER ARRANGEMENT.
5. WATER METER TO BE INSTALLED WITHIN 1200 mm OF WHERE THE SERVICE CONNECTION ENTERS THE BUILDING.
6. ARRANGEMENT IS TO BE NO LESS THAN 750 mm AND NO MORE THAN 1500 mm FROM THE FLOOR.
7. MINIMUM OF 1200 mm STRAIGHT LENGTH OF TYPE K COPPER TUBING DOWNSTREAM OF THE WATER METER. SECURE THE COPPER TUBING TO THE WALL OR FLOOR.
8. THE ARRANGEMENT IS REQUIRED TO BE HORIZONTALLY LEVEL AND HAVE SPECIFIED ROOM FOR ACCESS.
9. A SHUT OFF VALVE MAY BE SUBSTITUTED FOR THE WATER METER VALVE.
10. PROVIDE 1/2" CONDUIT THROUGH FOUNDATION OR EXTERIOR WALL CLOSEST TO THE WATER METER FOR PURPOSE OF INSTALLING AN OUTSIDE REMOTE PROVIDE SOLID 22 GAUGE, 3 OR 4 STRANDED CONDUCTOR WIRE FROM THE WATER METER TO THE EXTERIOR LOCATION FOR THE OUTSIDE REMOTE.
11. INSTALL OUTSIDE REMOTE ON THE DRIVEWAY SIDE OF THE BUILDING OR WHERE DIRECTED BY HRWC.
12. ALL COMPONENTS ILLUSTRATED MUST BE INSTALLED PRIOR TO THE WATER METER INSTALLATION
13. THE BUILDING IS REQUIRED TO BE ROOF TIGHT, WITH EXTERIOR SIDING INSTALLED, AND THE CURB STOP AND SERVICE BOX ARE TO BE PLUMB AND LEVEL WITH FINISHED LANDSCAPING PRIOR TO WATER METER INSTALLATION.
14. TEST PORT/PRESSURE GAUGE TO BE LOCATED DOWNSTREAM OF METER AND BACKFLOW PREVENTION DEVICE ARRANGEMENT.

						<p>NOTE: ALL DIMENSIONS SHOWN IN MILLIMETERS, UNLESS OTHERWISE NOTED.</p>	<p>PROJECT PROFILE OF 15mm, 19mm & 25mm (5/8", 3/4" & 1") WATER METER & BACKFLOW PREVENTION DEVICE ARRANGEMENT</p>					
3	NEW DETAIL FOR 2023	05 01 23	ST	JC		<table border="1" style="width: 100%; border-collapse: collapse;"> <tr> <td style="width: 50%;">DRAWN S.T.</td> <td style="width: 50%;">SCALE (PLAN)</td> </tr> <tr> <td>CHECKED J.D.</td> <td>SCALE (PROFILE) N.T.S.</td> </tr> <tr> <td>APPROVED K.G.</td> <td>DATE 08/05/17</td> </tr> </table>	DRAWN S.T.	SCALE (PLAN)	CHECKED J.D.	SCALE (PROFILE) N.T.S.	APPROVED K.G.	DATE 08/05/17
DRAWN S.T.	SCALE (PLAN)											
CHECKED J.D.	SCALE (PROFILE) N.T.S.											
APPROVED K.G.	DATE 08/05/17											
2	NEW DETAIL FOR 2018	04 27 18	ST	JD		PROJECT No.						
1	NEW DETAIL FOR 2017	08 05 17	ST	KG		DWG. No. HWSD – 002						
No.	DESCRIPTION	DATE	BY	CHKD								



NOTES:

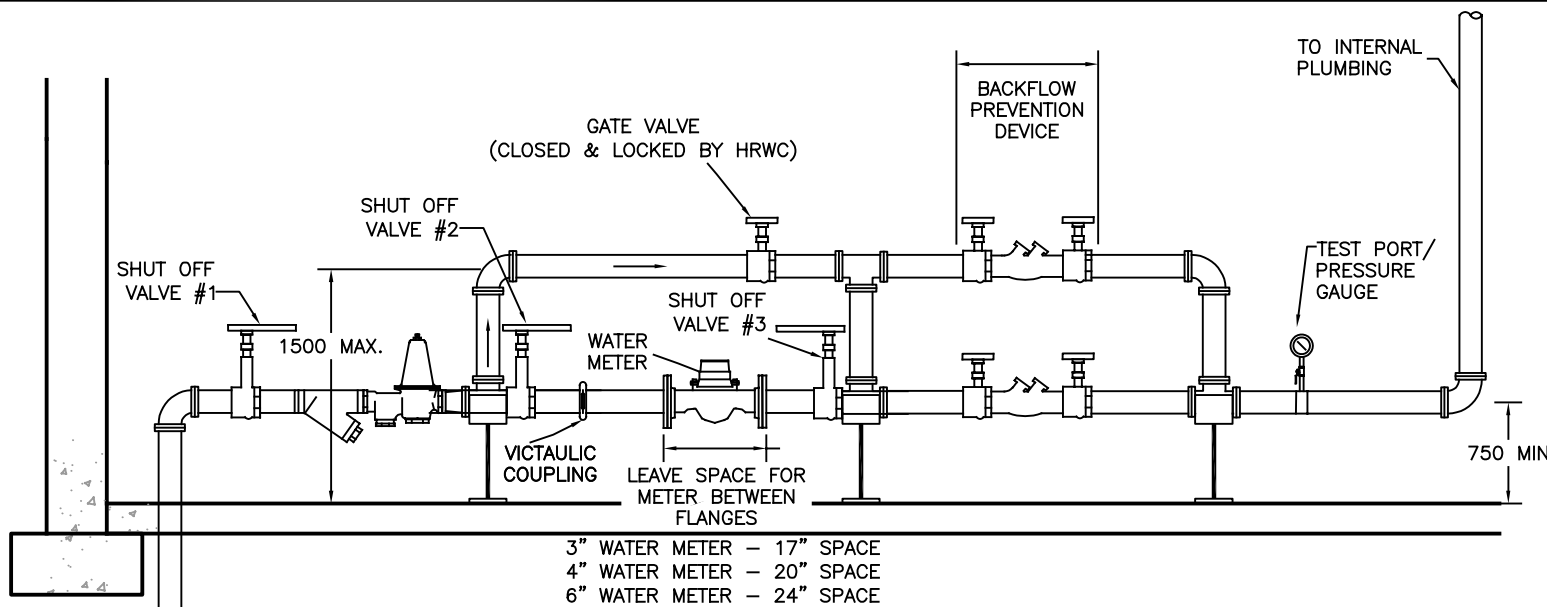
1. ALL PRODUCTS AND MATERIALS ARE REQUIRED TO BE NSF61 COMPLIANT.
2. METER AND OUTSIDE REMOTE ARE SUPPLIED BY HRWC.
3. ALL PIPE MATERIAL IS REQUIRED TO BE TYPE K COPPER TUBING TO ASTM B88, OR DUCTILE IRON, SPECIAL CLASS 52/54 TO AWWA C151.
4. FOR PEX_a WATER SERVICE CONNECTIONS, USE ASTM F877 COMPLIANT FITTING WITH STAINLESS STEEL INSERT TO TRANSITION TO THE COPPER TUBING OF THE WATER METER ARRANGEMENT.
5. WATER METER TO BE INSTALLED WITHIN 1200 mm OF WHERE THE SERVICE CONNECTION ENTERS THE BUILDING.
6. ARRANGEMENT IS TO BE NO LESS THAN 750 mm AND NO MORE THAN 1500mm FROM THE FLOOR.
7. MINIMUM OF 1200 mm STRAIGHT LENGTH OF TYPE K COPPER TUBING OR DUCTILE IRON DOWNSTREAM OF THE WATER METER. SECURE THE PIPING TO THE WALL OR FLOOR.
8. THE ARRANGEMENT IS REQUIRED TO BE HORIZONTALLY LEVEL AND HAVE SPECIFIED ROOM FOR ACCESS
9. PROVIDE 1/2" CONDUIT THROUGH FOUNDATION OR EXTERIOR WALL CLOSEST TO THE WATER METER FOR PURPOSE OF INSTALLING AN OUTSIDE REMOTE. PROVIDE SOLID 22 GAUGE, 3 OR 4 STRANDED CONDUCTOR WIRE FROM THE WATER METER TO THE EXTERIOR LOCATION FOR THE OUTSIDE REMOTE.
10. INSTALL OUTSIDE REMOTE ON THE DRIVEWAY SIDE OF THE BUILDING OR WHERE DIRECTED BY HRWC.
11. ALL COMPONENTS ILLUSTRATED MUST BE INSTALLED PRIOR TO THE WATER METER INSTALLATION.
12. THE BUILDING IS REQUIRED TO BE ROOF TIGHT, WITH EXTERIOR SIDING INSTALLED, AND THE CURB STOP AND SERVICE BOX ARE TO BE PLUMB AND LEVEL WITH FINISHED LANDSCAPING PRIOR TO WATER METER INSTALLATION.
13. TEST PORT/PRESSURE GAUGE TO BE LOCATED DOWNSTREAM OF METER AND BACKFLOW PREVENTION DEVICE ARRANGEMENT.

No.	DESCRIPTION	DATE	BY	CHKD
3	NEW DETAIL FOR 2023	05/01/23	ST	JC
2	NEW DETAIL FOR 2018	04/27/18	ST	JD
1	NEW DETAIL FOR 2017	08/05/17	ST	KG

NOTE:
ALL DIMENSIONS SHOWN IN MILLIMETERS, UNLESS OTHERWISE NOTED.




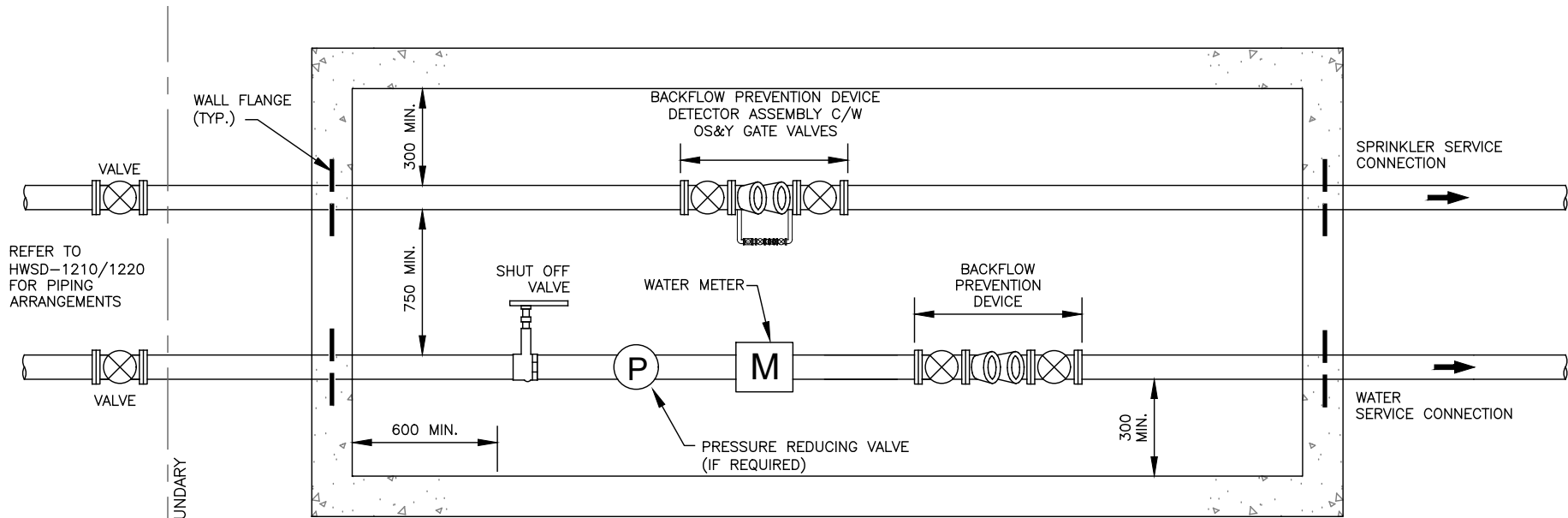
PROJECT		PROFILE OF 38 mm & 50 mm (1-1/2" & 2") WATER METER & BACKFLOW PREVENTION DEVICE	
DRAWN	S.T.	SCALE	(PLAN)
CHECKED	J.D.	SCALE	(PROFILE) N.T.S.
APPROVED	K.G.	DATE	08/05/17
PROJECT No.			
DWG. No.		HWSD - 003	



NOTES:

1. ALL PRODUCTS AND MATERIALS ARE REQUIRED TO BE NSF61 COMPLIANT.
2. WATER METER AND OUTSIDE REMOTE ARE SUPPLIED BY HRWC.
3. ALL PIPE MATERIAL IS REQUIRED TO BE TYPE K COPPER TUBING TO ASTM B88, OR DUCTILE IRON, SPECIAL CLASS 52/54 TO AWWA C151.
4. WATER METER TO BE INSTALLED WITHIN 1200 mm OF WHERE THE SERVICE CONNECTION ENTERS THE BUILDING.
5. ARRANGEMENT IS TO BE NO LESS THAN 750 mm AND NO MORE THAN 1500mm FROM THE FLOOR.
6. PROVIDE STRAIGHT LENGTH OF PIPE EQUAL TO 5 TIMES THE DIAMETER OF THE PIPE UPSTREAM AND DOWNSTREAM OF THE WATER METER.
7. PROVIDE STRAIGHT LENGTH OF PIPE EQUAL TO 5 TIMES THE DIAMETER OF THE PIPE UPSTREAM AND DOWNSTREAM OF THE BACKFLOW PREVENTION DEVICE.
8. THE ARRANGEMENT IS REQUIRED TO BE HORIZONTALLY LEVEL AND HAVE SPECIFIED ROOM FOR ACCESS.
9. PROVIDE 3/4" CONDUIT THROUGH FOUNDATION OR EXTERIOR WALL CLOSEST TO THE WATER METER FOR PURPOSE OF INSTALLING AN OUTSIDE REMOTE. PROVIDE SOLID 12 GAUGE, 3 OR 4 STRANDED CONDUCTOR WIRE FROM THE WATER METER TO THE EXTERIOR LOCATION FOR THE OUTSIDE REMOTE.
10. INSTALL OUTSIDE REMOTE ON THE DRIVEWAY SIDE OF THE BUILDING OR WHERE DIRECTED BY HRWC.
11. ALL COMPONENTS ILLUSTRATED MUST BE INSTALLED PRIOR TO THE WATER METER INSTALLATION.
12. THE BUILDING IS REQUIRED TO BE ROOF TIGHT, WITH EXTERIOR SIDING INSTALLED, AND THE CURB STOP AND SERVICE BOX ARE TO BE PLUMB AND LEVEL WITH FINISHED LANDSCAPING PRIOR TO WATER METER INSTALLATION.
13. DETAILS OF THRUST RESTRAINT SYSTEM AND PIPE SUPPORTS TO BE DESIGNED AND STAMPED BY THE DESIGN ENGINEER.
14. TEST PORT/PRESSURE GAUGE TO BE LOCATED DOWNSTREAM OF METER AND BACKFLOW PREVENTION DEVICE ARRANGEMENT.

No.	DESCRIPTION	DATE	BY	CHKD	NOTE:	PROJECT
					ALL DIMENSIONS SHOWN IN MILLIMETERS, UNLESS OTHERWISE NOTED.	PROFILE OF 75mm (3") AND GREATER WATER METER AND BACKFLOW PREVENTION DEVICE BY-PASS ARRANGEMENT
						
3	NEW DETAIL FOR 2023	05/2/18	ST	JC		
2	NEW DETAIL FOR 2018	04/27/18	ST	JD		PROJECT No.
1	NEW DETAIL FOR 2017	08/05/17	ST	KG		DWG. No. HWSD - 004



NOTES:

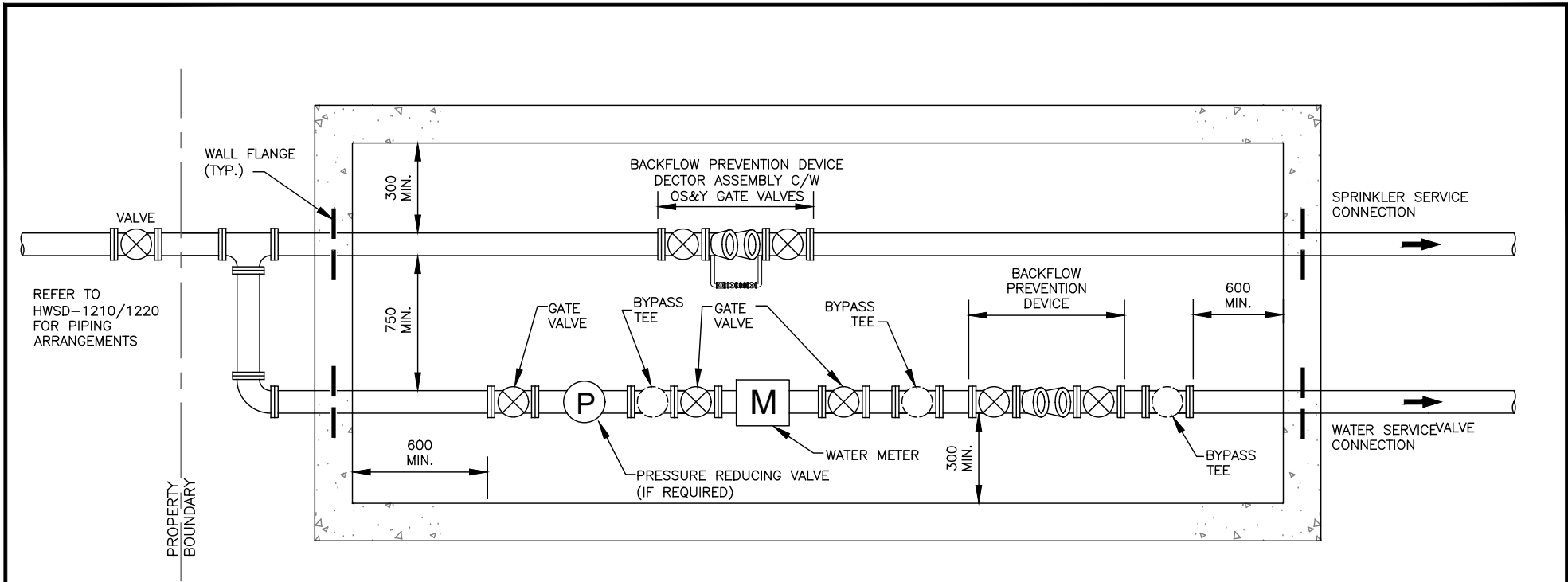
1. ALL NOTED DIMENSIONS / SPACING REQUIREMENTS WITH REGARDS TO CHAMBER WALLS.
2. REDUCED PRESSURE PRINCIPLE BACKFLOW PREVENTION DEVICES ARE NOT PERMITTED IN BELOW GRADE CHAMBERS.
3. REFER TO HRWC SUPPLEMENTARY STANDARD SPECIFICATION FOR ABOVE GROUND HEATED ENCLOSURE REQUIREMENTS.
4. REFER TO HWSD-002 AND HWSD-003 FOR THE APPLICABLE PROFILE ARRANGEMENT.
5. PROVIDE 45mm ϕ HOLE AND 100mm ϕ - 6mm DEPTH COUNTERSINK IN CHAMBER COVER FOR REMOTE METER REGISTER.

No.	DESCRIPTION	DATE	BY	CHKD
4	NEW DETAIL FOR 2023	05/02/23	ST	JC
3	NEW DETAIL FOR 2019	06/17/18	ST	JD
2	NEW DETAIL FOR 2018	04/27/18	ST	JD
1	NEW DETAIL FOR 2017	08/05/17	ST	KG

NOTE:
ALL DIMENSIONS SHOWN IN MILLIMETERS,
UNLESS OTHERWISE NOTED.



PROJECT		PLAN OF 15mm TO 50mm (5/8" TO 2") WATER METER & BACKFLOW PREVENTION DEVICE EXTERIOR CHAMBER ARRANGEMENT	
DRAWN	S.T.	SCALE (PLAN)	N.T.S.
CHECKED	J.D.	SCALE (PROFILE)	
APPROVED	K.G.	DATE	08/05/17
PROJECT No.			
DWG. No.		HWSD - 005	



NOTES:

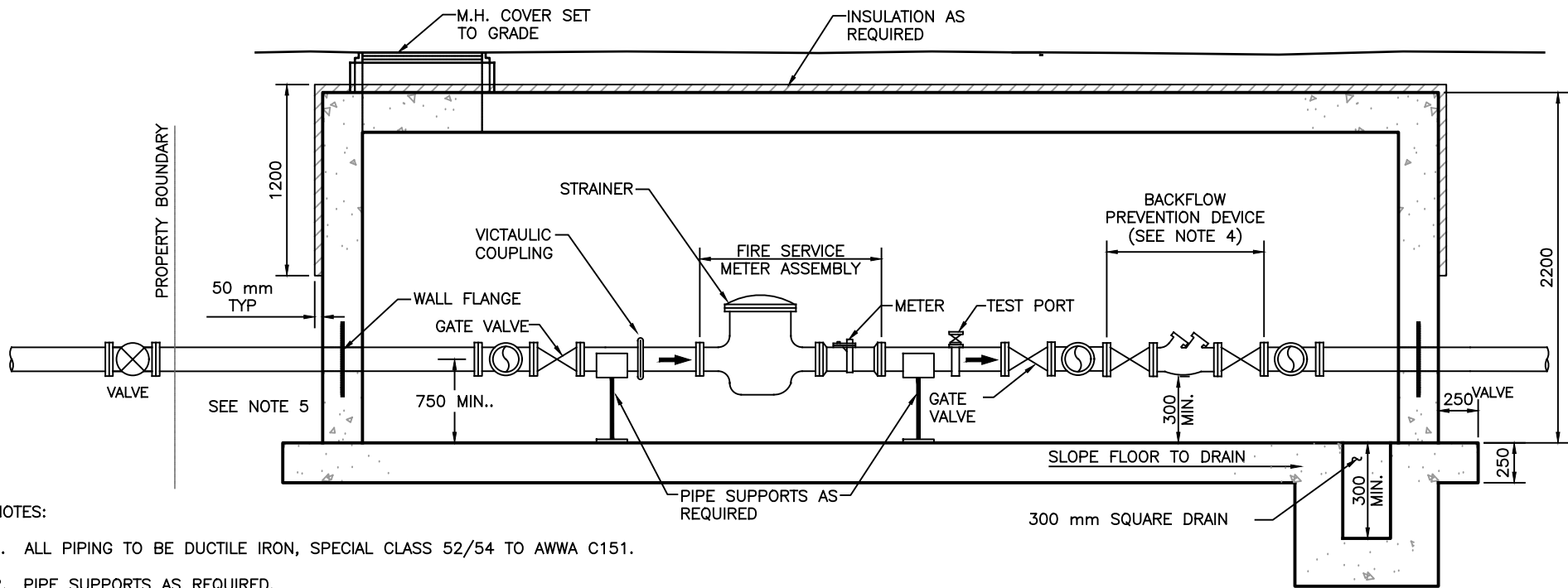
1. ALL NOTED DIMENSIONS / SPACING REQUIREMENTS WITH REGARDS TO CHAMBER WALLS.
2. REDUCED PRESSURE PRINCIPLE BACKFLOW PREVENTION DEVICES ARE NOT PERMITTED IN BELOW GRADE CHAMBERS.
3. REFER TO HRWC SUPPLEMENTARY STANDARD SPECIFICATION FOR ABOVE GROUND HEATED ENCLOSURE REQUIREMENTS.
4. REFER TO HWS-004 FOR THE PROFILE ARRANGEMENT.

No.	DESCRIPTION	DATE	BY	CHKD
3	NEW DETAIL FOR 2023	05/02/23	ST	JC
2	NEW DETAIL FOR 2018	04/27/18	ST	JD
1	NEW DETAIL FOR 2017	08/05/17	ST	KG

NOTE:
ALL DIMENSIONS SHOWN IN MILLIMETERS,
UNLESS OTHERWISE NOTED.



PROJECT PLAN OF 75mm(3") & GREATER WATER METER AND BACKFLOW PREVENTION DEVICES WITH BYPASS EXTERIOR CHAMBER ARRANGEMENT			
DRAWN	S.T.	SCALE (PLAN)	N.T.S.
CHECKED	J.D.	SCALE (PROFILE)	
APPROVED	K.G.	DATE	08/05/17
PROJECT No.			
DWG. No.		HWS-006	



NOTES:

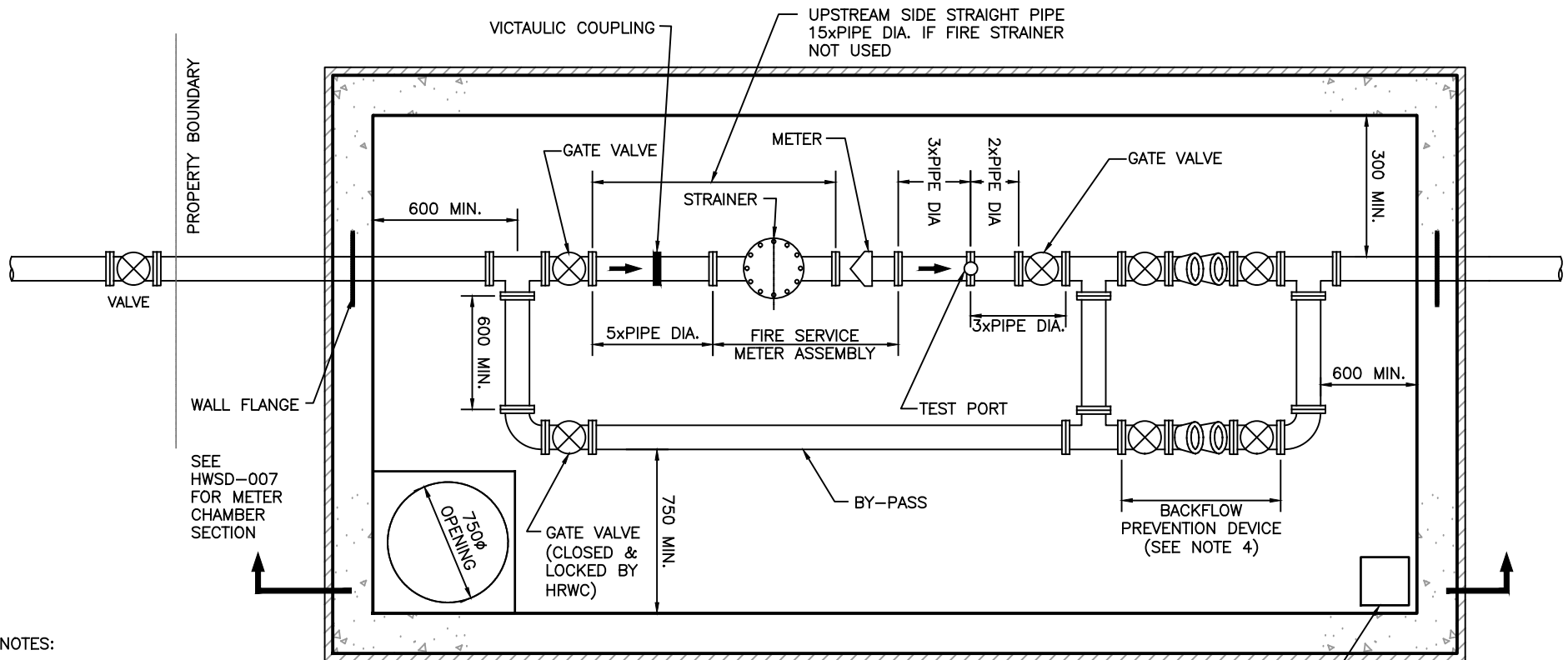
1. ALL PIPING TO BE DUCTILE IRON, SPECIAL CLASS 52/54 TO AWWA C151.
2. PIPE SUPPORTS AS REQUIRED.
3. M.H. COVER = HRWC SPEC, IMP R-90 PROVIDE 45 mm ϕ HOLE AND 100 mm ϕ -6 mm DEPTH COUNTERSINK IN COVER FOR REMOTE METER REGISTER.
4. PIPEWORK TO BE DESIGNED TO ACCOMMODATE POTENTIAL DIFFERENTIAL SETTLEMENT OF STRUCTURE.
5. REDUCED PRESSURE PRINCIPLE BACKFLOW PREVENTION DEVICES ARE NOT PERMITTED IN BELOW GRADE CHAMBERS. REFER TO HRWC SUPPLEMENTARY STANDARD SPECIFICATION FOR ABOVE GROUND HEATED ENCLOSURE REQUIREMENTS.

No.	DESCRIPTION	DATE	BY	CHKD
3	NEW DETAIL FOR 2023	05/02/23	ST	JC
2	NEW DETAIL FOR 2018	04/27/18	ST	JD
1	NEW DETAIL FOR 2017	08/05/17	ST	KG

NOTE:
ALL DIMENSIONS SHOWN IN MILLIMETERS,
UNLESS OTHERWISE NOTED.



PROJECT			PROFILE MASTER WATER METER CHAMBER		
DRAWN	S.T.	SCALE	(PLAN)		
CHECKED	J.D.	SCALE	(PROFILE) N.T.S.		
APPROVED	K.G.	DATE	08/05/17		
PROJECT No.					
DWG. No. HWSD - 007					



NOTES:

1. ALL PIPING TO BE DUCTILE IRON, SPECIAL
2. CLASS 52/54 TO AWWA C151.
3. PIPE SUPPORTS AS REQUIRED.
4. M.H. COVER = HRWC SPEC, IMP R-90. PROVIDE 45mmØ HOLE AND 100 mmØ-6 mm DEPTH COUNTERSINK IN COVER FOR REMOTE METER REGISTER.
5. REDUCED PRESSURE PRINCIPLE BACKFLOW PREVENTION DEVICES ARE NOT PERMITTED IN BELOW GRADE CHAMBERS.
6. REFER TO HRWC SUPPLEMENTARY STANDARD SPECIFICATION FOR ABOVE GROUND HEATED ENCLOSURE REQUIREMENTS.

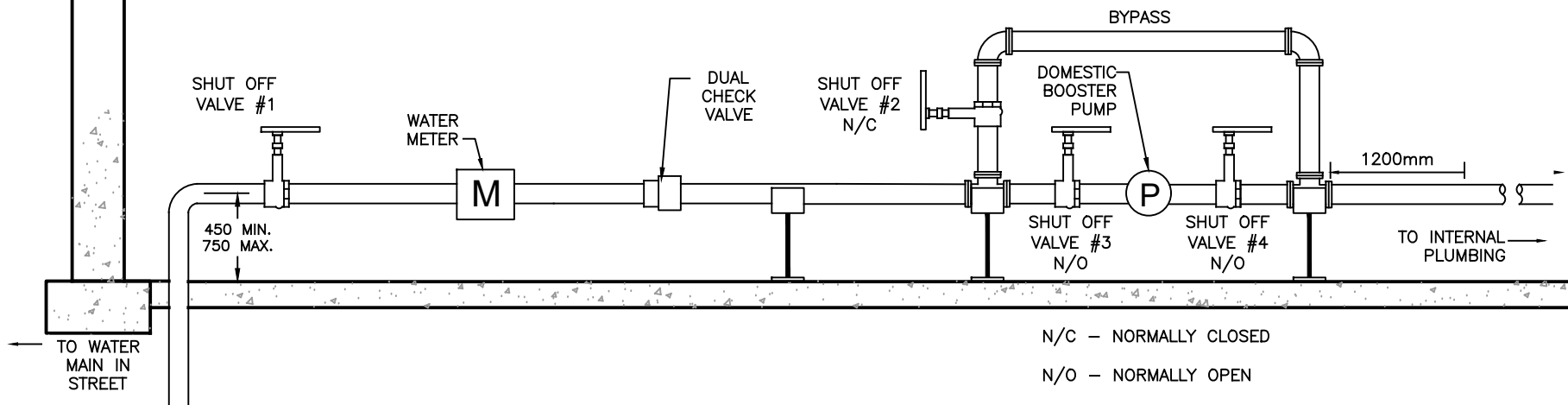
300 mm SQUARE DRAIN. MINIMUM DEPTH 300 mm BELOW FLOOR SURFACE.

No.	DESCRIPTION	DATE	BY	CHKD
3	NEW DETAIL FOR 2023	05 02 23	ST	JD
2	NEW DETAIL FOR 2018	04 27 18	ST	JD
1	NEW DETAIL FOR 2017	01 22 17	ST	KG

NOTE:
ALL DIMENSIONS SHOWN IN MILLIMETERS,
UNLESS OTHERWISE NOTED.



PROJECT			
PLAN MASTER WATER METER CHAMBER			
DRAWN	S.T.	SCALE (PLAN)	N.T.S.
CHECKED	J.D.	SCALE (PROFILE)	
APPROVED	K.G.	DATE	08/05/17
PROJECT No.			
DWG. No.		HWSD - 008	



NOTES:

1. ALL PRODUCTS AND MATERIALS ARE REQUIRED TO BE NSF-61 COMPLIANT.
2. DOMESTIC BOOSTER PUMP SIZING AND PRODUCT SPECIFICATION AS PER BUILDING PLUMBING DESIGNER.
3. MINIMUM WATER SERVICE CONNECTION DIAMETER IS 25 mm.
4. REFER TO HWSD-001, HWSD-002 OR HWSD-003 FOR THE APPLICABLE PROFILE ARRANGEMENT.
5. ALL PIPE MATERIAL IS REQUIRED TO BE TYPE K COPPER TUBING TO ASTM B88.
6. FOR PEX_a WATER SERVICE CONNECTIONS, USE AN ASTM F877 COMPLIANT FITTING WITH STAINLESS STEEL INSERT TO TRANSITION TO THE COPPER TUBING OF THE WATER METER ARRANGEMENT.
7. ARRANGEMENT IS TO BE NO LESS THAN 450 mm AND NO MORE THAN 750mm FROM THE FLOOR.
8. MINIMUM OF 1200 mm STRAIGHT LENGTH OF TYPE K COPPER TUBING DOWNSTREAM OF BY PASS ARRANGEMENT SECURE THE COPPER TUBING TO THE WALL OR FLOOR.
9. THE ARRANGEMENT IS REQUIRED TO BE HORIZONTALLY LEVEL AND HAVE SUFFICIENT ROOM FOR ACCESS.
10. PROVIDE 3/4" CONDUIT THROUGH FOUNDATION OR EXTERIOR WALL CLOSEST TO THE WATER METER FOR PURPOSE OF INSTALLING AN OUTSIDE REMOTE. PROVIDE SOLID 22 GAUGE, 3 OR 4 STRANDED CONDUCTOR WIRE FROM THE WATER METER TO THE EXTERIOR LOCATION FOR THE OUTSIDE REMOTE.
11. INSTALL OUTSIDE REMOTE ON THE DRIVEWAY SIDE OF THE BUILDING OR WHERE DIRECTED BY HRWC.
12. ALL COMPONENTS ILLUSTRATED MUST BE INSTALLED PRIOR TO THE WATER METER INSTALLATION.
13. THE BUILDING IS REQUIRED TO BE ROOF TIGHT, WITH EXTERIOR SIDING INSTALLED, AND THE CURB STOP AND SERVICE BOX ARE TO BE PLUMB AND LEVEL WITH FINISHED LANDSCAPING PRIOR TO WATER METER INSTALLATION.

No.	DESCRIPTION	DATE	BY	CHKD
2	NEW DETAIL FOR 2023	05/02/23	ST	KG
1	NEW DETAIL FOR 2017	08/05/17	ST	KG

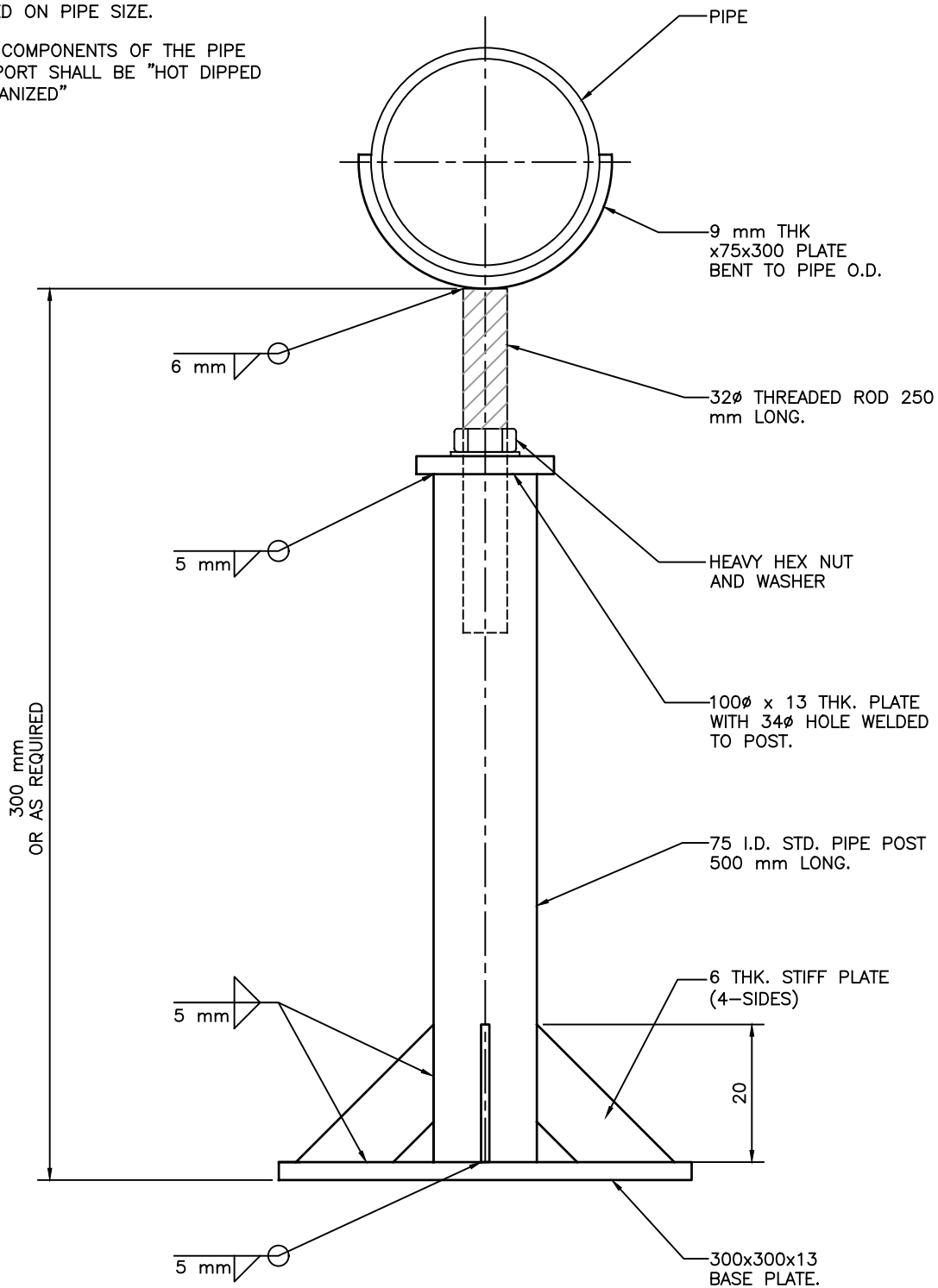
NOTE:
ALL DIMENSIONS SHOWN IN MILLIMETERS, UNLESS OTHERWISE NOTED.



PROJECT		
PROFILE RESIDENTIAL WATER BOOSTER PUMP ARRANGEMENT		
DRAWN	S.T.	SCALE (PLAN)
CHECKED	J.D.	SCALE (PROFILE) N.T.S.
APPROVED	K.G.	DATE 08/05/17
PROJECT No.		
DWG. No. HWSD - 009		

NOTES:

1. NUMBER OF SUPPORTS NEEDED BASED ON PIPE SIZE.
2. ALL COMPONENTS OF THE PIPE SUPPORT SHALL BE "HOT DIPPED GALVANIZED"



NOTE:
ALL DIMENSIONS SHOWN IN MILLIMETERS,
UNLESS OTHERWISE NOTED.

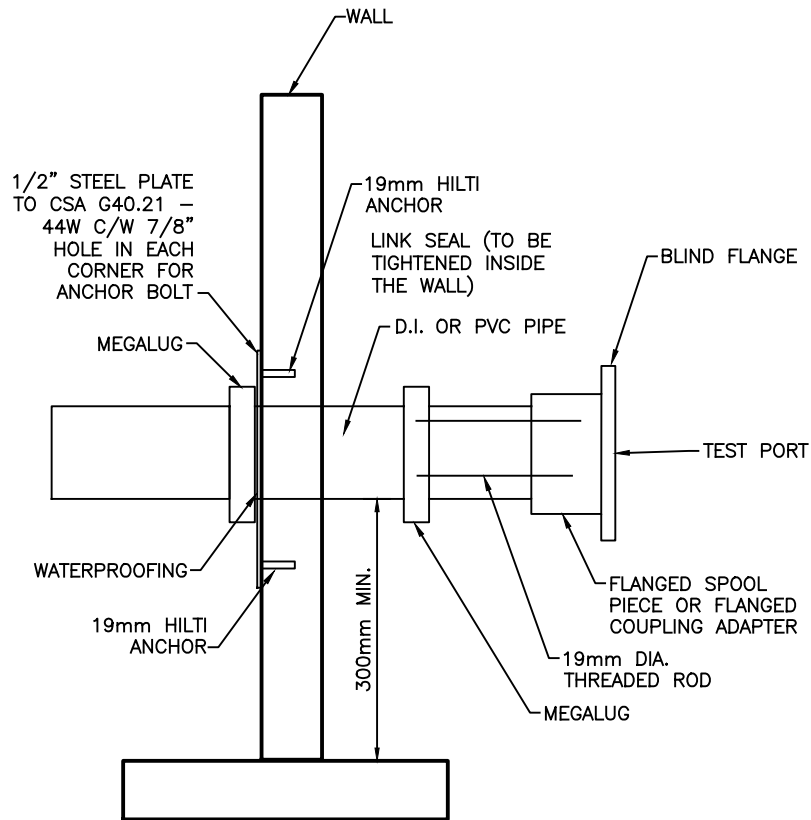


PROJECT
PIPE SUPPORT DETAIL

DRAWN	S.T.	SCALE (PLAN)
CHECKED	J.D.	SCALE (PROFILE) N.T.S.
APPROVED	K.G.	DATE 08/05/17

PROJECT No.
DWG. No. **HWSD - 011**

No.	DESCRIPTION	DATE	BY	CHKD
2	NEW DETAIL FOR 2023 SPEC	05/02/23	ST	JC
1	NEW DETAIL FOR 2017 SPEC	08/05/17	ST	KG



NOTES:

1. THE DESIGN ENGINEER ASSUMES ALL RESPONSIBILITY IN ENSURING THE THRUST RESTRAINT IS ADEQUATE AND CONSIDERS ALL RELEVANT SITE CONDITIONS.
2. STEEL PLATE TO BE SIZED BASED ON WATERMAIN DIAMETER. PLATES TO PROVIDE A MINIMUM OF 3" FROM EDGE OD CENTRE HOLE TO EDGE OF PLATE.
3. TEST PORT – CONTRACTOR TO SIZE AS APPROPRIATE IN PROJECT TESTING PLAN

No.	DESCRIPTION	DATE	BY	CHKD

NOTE:
ALL DIMENSIONS SHOWN IN MILLIMETERS,
UNLESS OTHERWISE NOTED.



PROJECT		
STANDARD WALL PENETRATION FOR PRESSURIZED WATERMAIN		
DRAWN	S.T.	SCALE (PLAN)
CHECKED	J.C.	SCALE (PROFILE) N.T.S.
APPROVED	K.G.	DATE 08/15/22
PROJECT No.		
DWG. No. HWSD – 012		